



Hansen



## Deceuninck DECALU88 Doors

The Decalu88 Doors system is a patented profile technology with compensation thermal strips. It provides slim frames with wings that perfectly compensate for deformations from intense sunlight in the summer or low temperatures in the winter. The original fastening of the door fittings ensures a unique design. The technology works perfectly with a panel finish. The system is fully compatible with the Decalu88 series.

<b>Depth of frame:</b>	88 mm
<b>Depth of leaf:</b>	88 mm
<b>Glazing range:</b>	12-62 mm
<b>Thermal insulation:</b>	as from $U_f = 1,3 \text{ W/m}^2\text{K}$
<b>Air permeability:</b>	Class 4
<b>Water tightness:</b>	450 Pa
<b>Resistance to wind load:</b>	Class C4

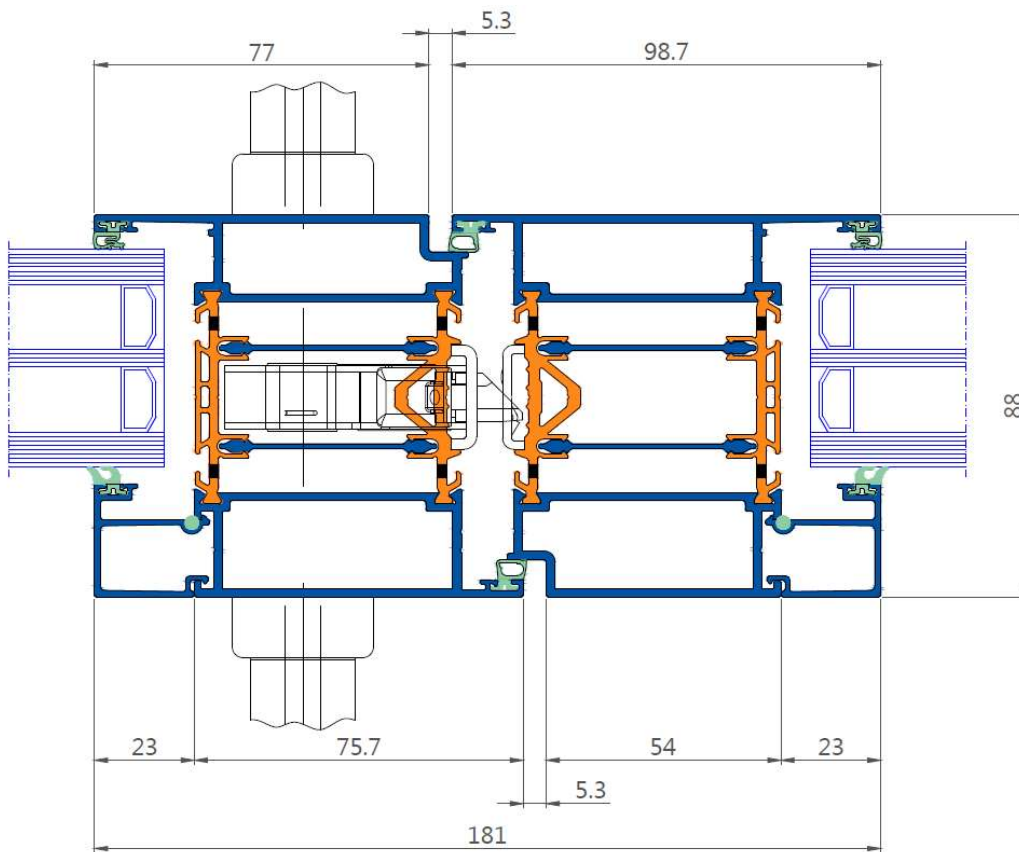


Examples of heat transfer coefficients  $U_w$

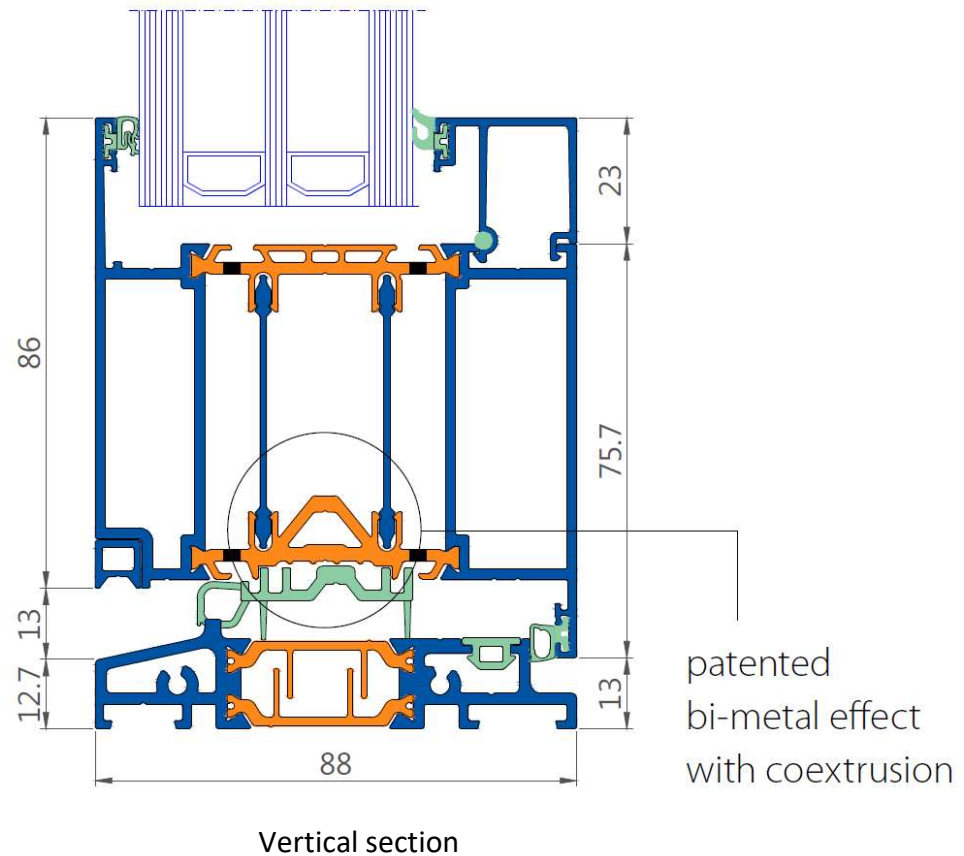
	Glazing	Value (sash +frame)
Double glazing	$U_g=1,1 \text{ W/m}^2\text{K}$	$U_w=1,35 \text{ W/m}^2\text{K}^*$
	$U_g=1,0 \text{ W/m}^2\text{K}$	$U_w=1,30 \text{ W/m}^2\text{K}^*$
Triple glazing	$U_g=0,6 \text{ W/m}^2\text{K}$	$U_w=1,11 \text{ W/m}^2\text{K}^*$
	$U_g=0,4 \text{ W/m}^2\text{K}$	$U_w=1,01 \text{ W/m}^2\text{K}^*$

(\*) U-value calculated on the basis of a door measuring 1050 x 2100 mm (WxH)

Cross sections



Horizontal section



### DECALU88 Panel doors

An aluminium profile system for manufacturing doors that open inside and outside with the so-called panel filling. This system, just as other products by So Easy System, is easy to manufacture and highly functional.

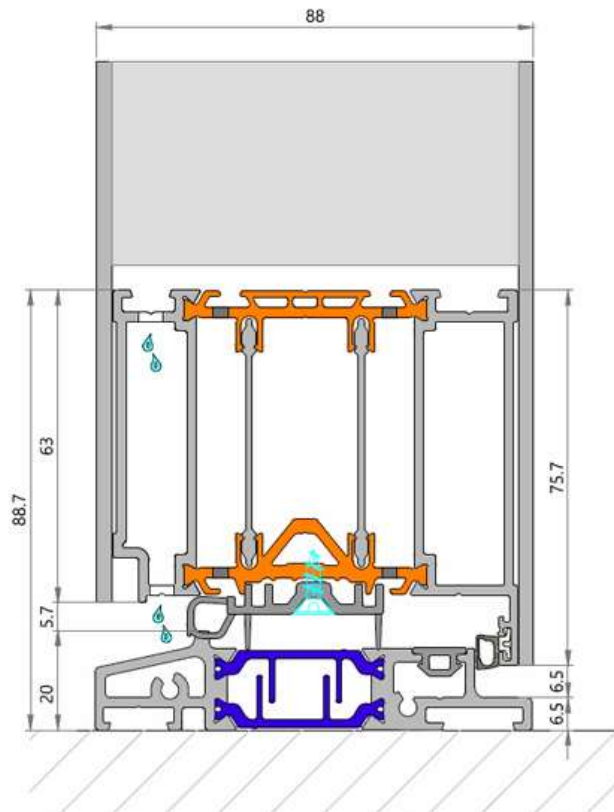
The system is a logical continuation of the best solutions used in the doors TRITON HI and OLYMPIA. The leaf profiles for panel doors are made only on anti Bi-metal strips that reduce the deformation of the doors exposed to strong solar radiation.

Parameters of the DECALU 88 doors system:

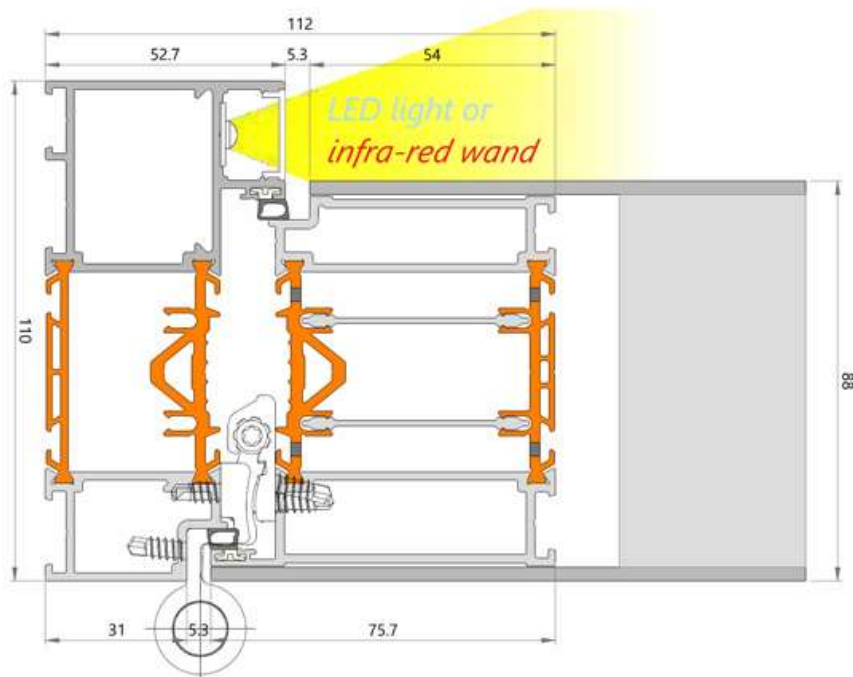
- Instalation depth 88 mm
- Max. glass thickness 62 mm
- $U_d \geq 0,7 \text{ W/m}^2 \cdot \text{K}$
- Combination frame and sash 135mm



Cross sections – panel door



Horizontal section



Vertical section